

ADM-1819AP-00A/00E

Panel Mount KVM Extender Integrated 19-inch LCD Touch Display Monitor. True one-cable solution up to 100 meters CAT6 cable, no power supply is required.

Features

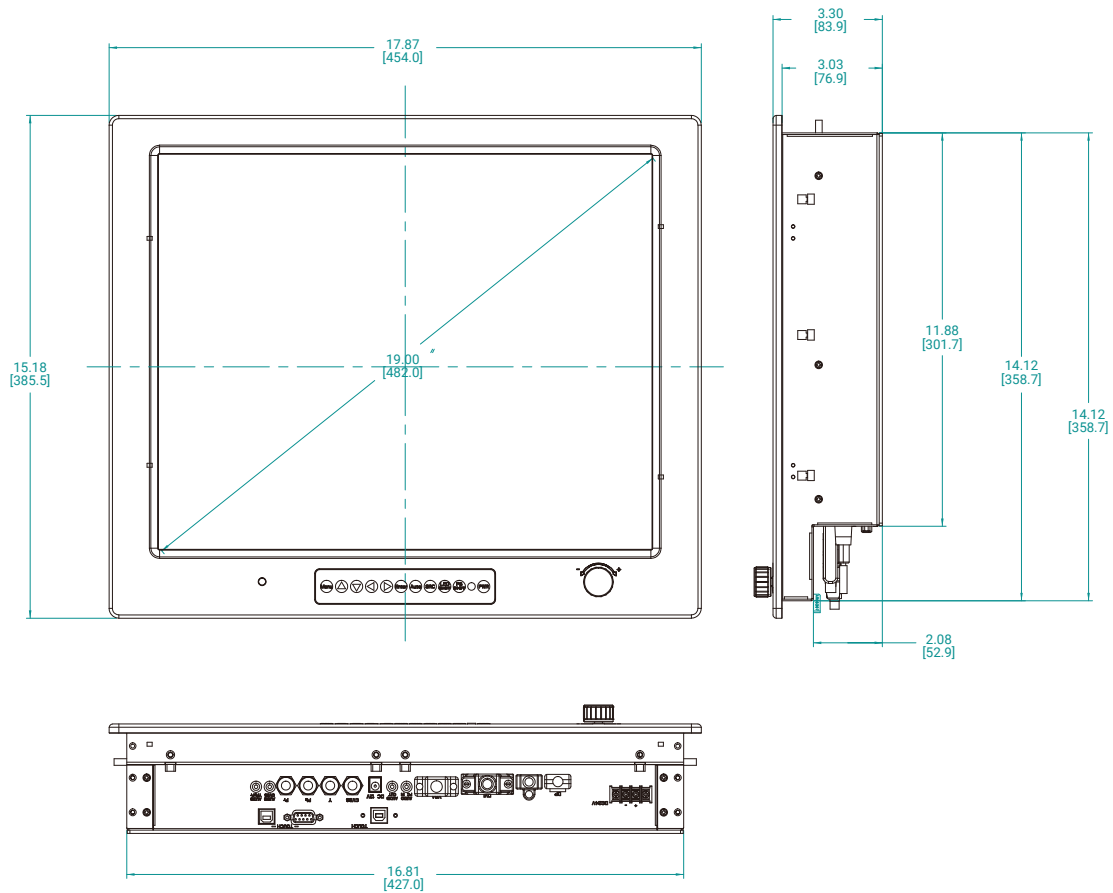
- 19 inch LCD Display, 1280 x 1024 resolutions
- 5-Wire Resistive Touch Screen
- Powder Coated Aluminum or Stainless-Steel Bezel
- Bezel meets IP66 / NEMA 4X requirements
- Built-in a 2-port USB 2.0 hub to support multiple USB devices
- Built-in a 2-port 100BaseT Ethernet pass-through hub
- Single CAT6 cable connection to KVM Transmitter
- No Power Supply is required

Specifications

Model Name	ADM-1819AP-00A/00E
LCD Display	
Display Size (Diagonal)	19 inch
Max Resolution	1280 x 1024
Backlight Lifetime (Hours)	50,000 hours
Visual Characteristics	
Colors	16.7 million
Aspect Ratio	5:4
Viewing Angle (V/H)	160° / 170°
Contrast Ratio	700:1
Brightness (max)	450 nits
Video Input	HDMI via Transmitter
Touchscreen	
Technology	5-Wire Resistive
Touch Interface	USB via Transmitter
Driver	Windows 7, Windows 10
I/O	
USB Device Ports	2x
Network Pass Through	2x
Power/Thermal Specs	
Power Requirement (Max)	Powered by Transmitter
Power Consumption (Max)	21 W
Recommended Power Supply	Not Required
Heat Dissipation	70 BTU/hr
Physical Information	
Mounting	Panel Mount
Net Weight	17 Lbs / 7.71 kg
Dimension (WxHxD)	17.80 x 14.60 x 2.39(*3.72) inch 452.1 x 370.8 x 60.7(*94.5) mm (*depth including power adaptor)
Recommended Cutout Dimension (WxH)	17.00 x 13.81 inch 432.0 x 351 mm
Environmental	
Operation Temperature	0 to 50°C (32° to 122°F)
Storage Temperature	-20° to 60°C (-4° to 140°F)
Humidity	5% to 95% non-condensing
Rating	Bezel meets NEMA 4 / NEMA 4X requirements
Certification	CE, UL 508
KVM Transmitter (Shipped with ADM-1819AP-00A/00E)	
Extension Media	RJ-45 Cat5e/Cat6 cable
Extension signal	Video, USB, RS-232, Ethernet, Power
Video Input	HDMI (Connect to Video Source)
USB	Type-B (Connector to Computer)
RS-232	DB-9 (No Function)
LAN 1 & 2	RJ45 (No Function)
HDMI Loop-Back	For Local Display
Physical Information	
Mounting	Wall mount or DIN-RAIL mount
Dimension (WxHxD)	6.19 x 1.45 x 4.04 inch 157.2 x 36.8 x 102.6 mm
Power/Thermal Specs	
Power Requirement (Max)	48V DC Input
Power Consumption (Max)	28W (Including AMA-7421AX)
Recommended Power Supply	Included
Heat Dissipation	96 BTU/hr

Dimension Drawing

Model Name: ADM-1819AP
Size Unit: inch(mm)



Ordering Information

Item	ADM-1819AP-00A	ADM-1819AP-00E
LCD Display	19" / 1280 x 1024	19" / 1280 x 1024
Touch Screen	5-Wire Resistive	5-Wire Resistive
Mounting	Panel Mount	Panel Mount
Bezel	Powder Coated Aluminum	Stainless Steel
Extender Video Input	HDMI via KVM Extender	HDMI via KVM Extender
Power Supply	Powered by KVM Extender	Powered by KVM Extender